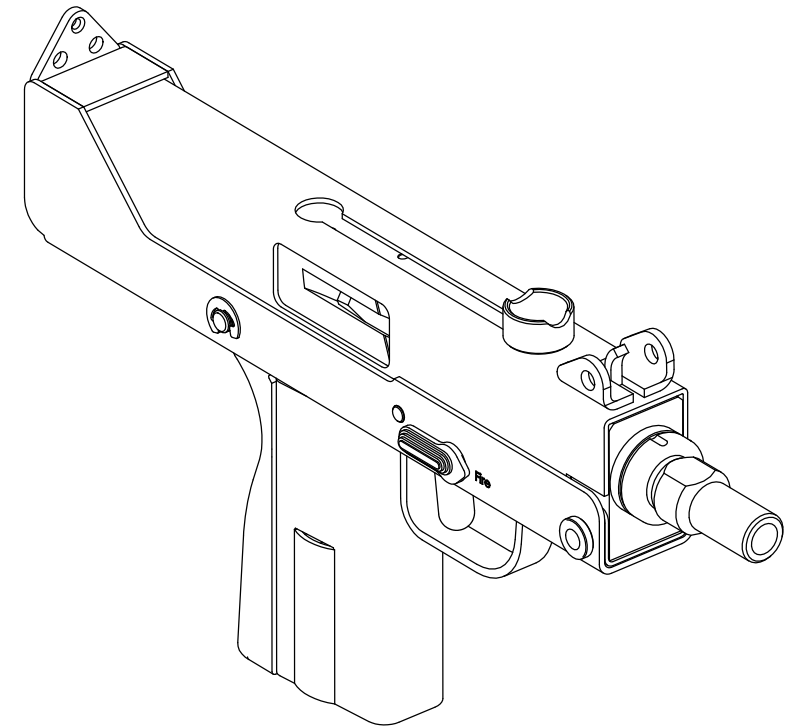
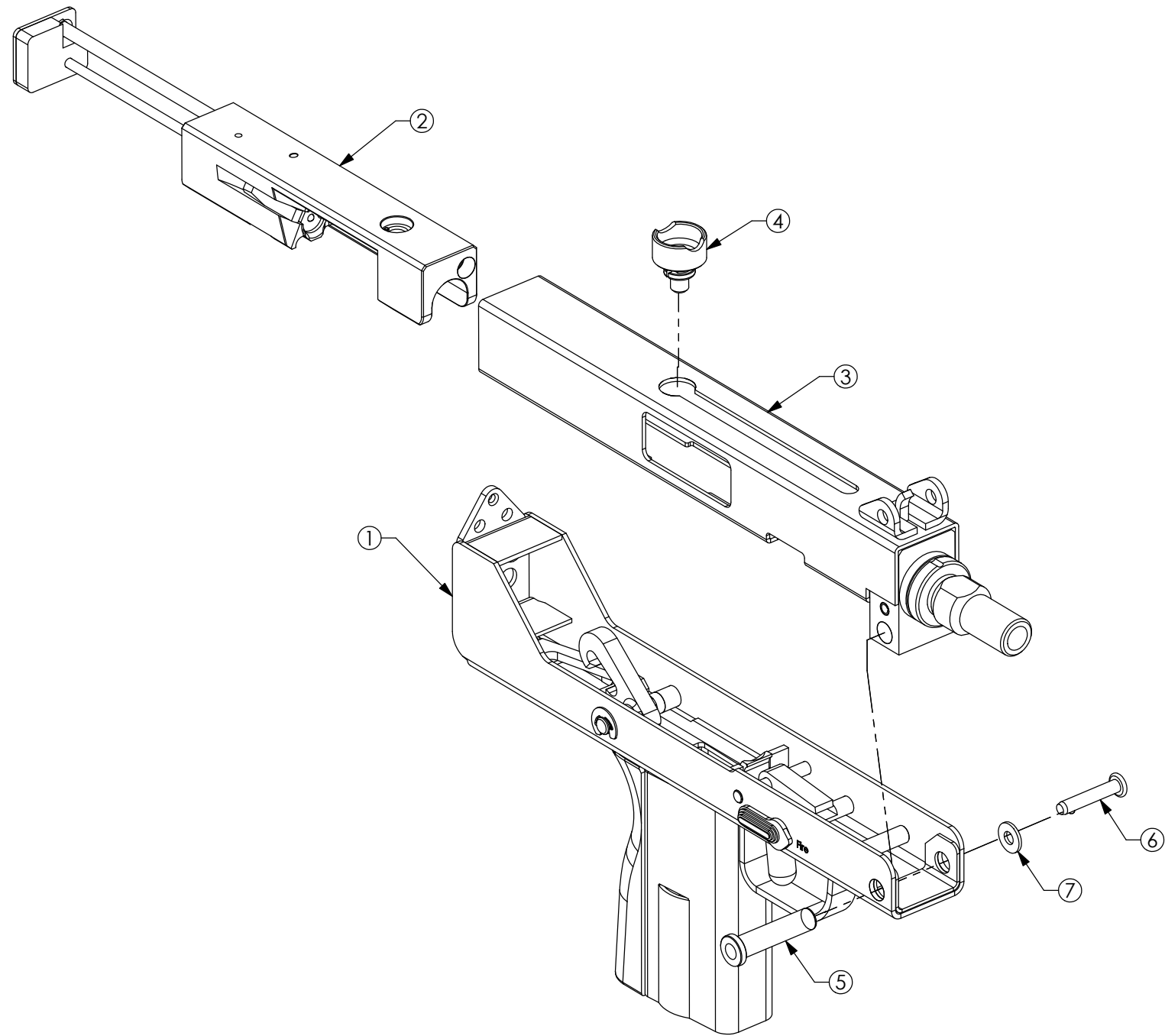


THE INFORMATION CONTAINED IN THIS DRAWING IS THE SOLE PROPERTY OF MASTERPIECE ARMS INC.. ANY REPRODUCTION IN PART OR WHOLE WITHOUT THE WRITTEN PERMISSION OF MASTERPIECE ARMS INC. IS PROHIBITED.



ITEM	PART NO.	DESCRIPTION	QTY
1	MPA20A01B	9mm Lower Receiver Assy	1
2	MPA2026	9MM Bolt Assembly	1
3	MPA3047-62	9mm Upper Receiver Assy	1
4	MPA20-45	9mm Cocking Handle	1
5	MPA20-57-1	9mm Receiver Pin Outer	1
6	MPA20-57-2	45 Receiver Pin Inner	1
7	MPA1-57-3	45 Receiver Pin Washer	1

UNLESS OTHERWISE SPECIFIED Fractions $\pm 1/32$
 DIMENSIONS ARE IN INCHES. xx $\pm .015$
 TOLERANCES ARE: xxx $\pm .005$
 angle $\pm 1/2^\circ$

Drawn By: DS Date: 3/17/2008

Material:

Heat Treat:

Finish:

Master Piece Arms
MPA30
9mm Pistol

Sheet1 of 1

DO NOT SCALE DRAWING

Scale 1:2

Filename: MPA30