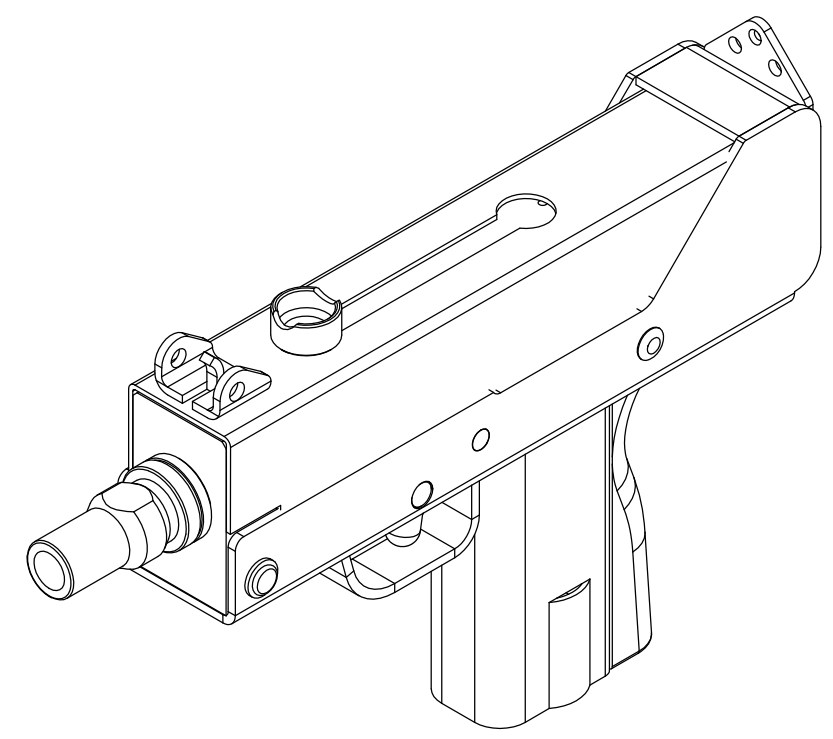
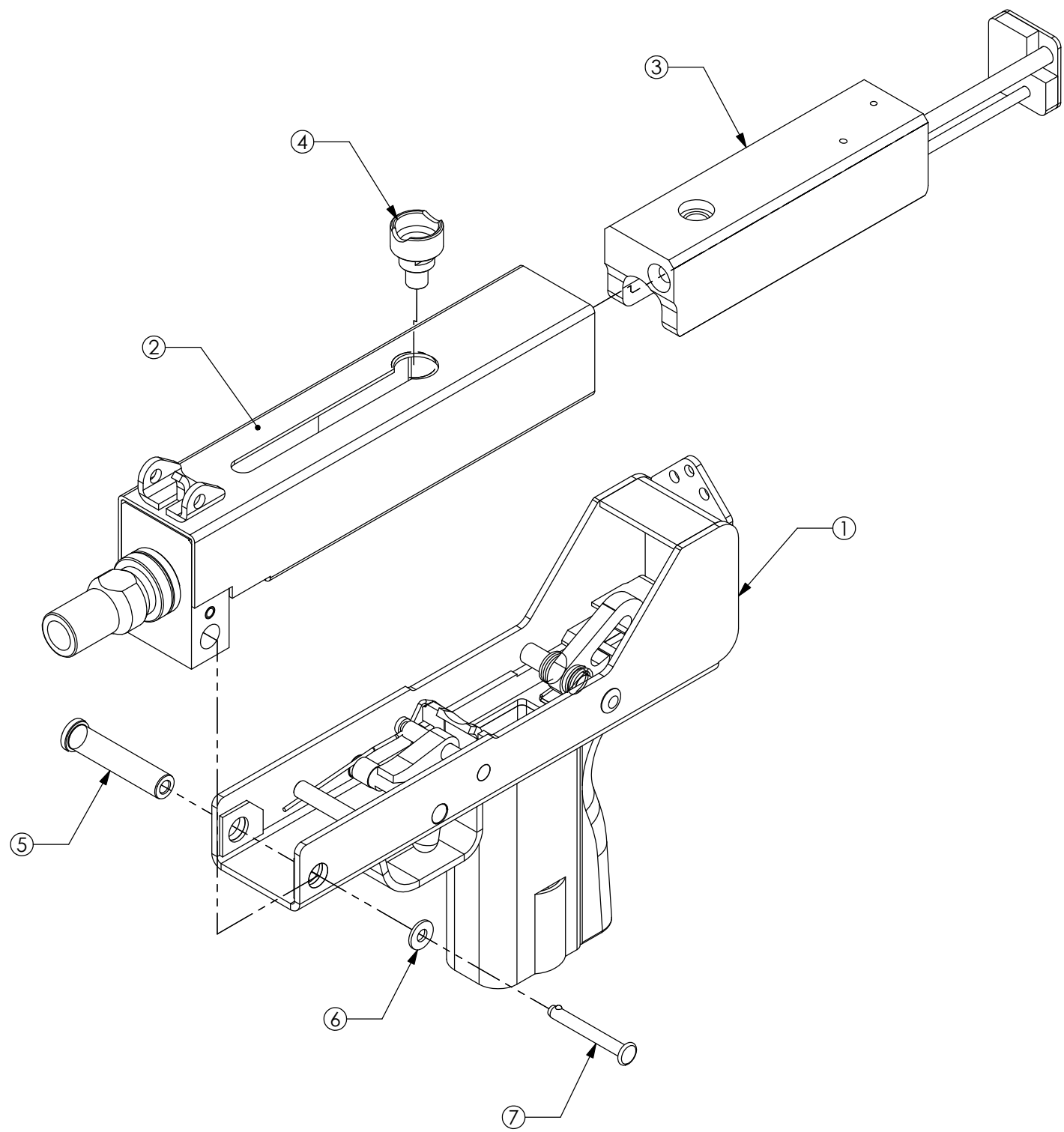


THE INFORMATION CONTAINED IN THIS DRAWING IS THE SOLE PROPERTY OF MASTERPIECE ARMS INC.. ANY REPRODUCTION IN PART OR WHOLE WITHOUT THE WRITTEN PERMISSION OF MASTERPIECE ARMS INC. IS PROHIBITED.



ITEM	PART NO.	DESCRIPTION	QTY.
1	MPA1A01B	45 Lower Receiver	1
2	MPA1047-62	.45 Upper Receiver Assy, Top Cocker	1
3	MPA126	.45 ACP Bolt Assy	1
4	MPA1-45	45 Cocking Handle	1
5	MPA1-57-1	45 Receiver Pin Outer	1
6	MPA1-57-3	45 Receiver Pin Washer	1
7	MPA1-57-2	45 Receiver Pin Inner	1

UNLESS OTHERWISE SPECIFIED DIMENSIONS ARE IN INCHES. TOLERANCES ARE:	Fractions $\pm 1/32$ xx $\pm .015$ xxx $\pm .005$ angle $\pm 1/2^\circ$	<b>Master Piece Arms</b> <b>MPA10</b> <b>.45 ACP Pistol</b>
	Drawn By: DS    Date: 3/12/2008	
	Material:	
	Heat Treat:	
Finish:		Sheet 1 of 1
DO NOT SCALE DRAWING		Scale 1:2    Filename: MPA10